

# SPECIFICATION SHEET

lumencove™

RGB

Client : \_\_\_\_\_

Project name : \_\_\_\_\_

Order # : \_\_\_\_\_

Type : \_\_\_\_\_ Qty. : \_\_\_\_\_

## FEATURES & BENEFITS

### Physical :

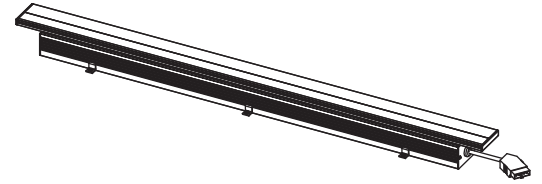
- Low copper content extruded aluminum housing
- Available in 1', 2', 3', 4' and 8' sections
- Electro-statically applied polyester powder coat finish
- Tool-less LED frame adjustable mechanism
- Low profile design

### Performance :

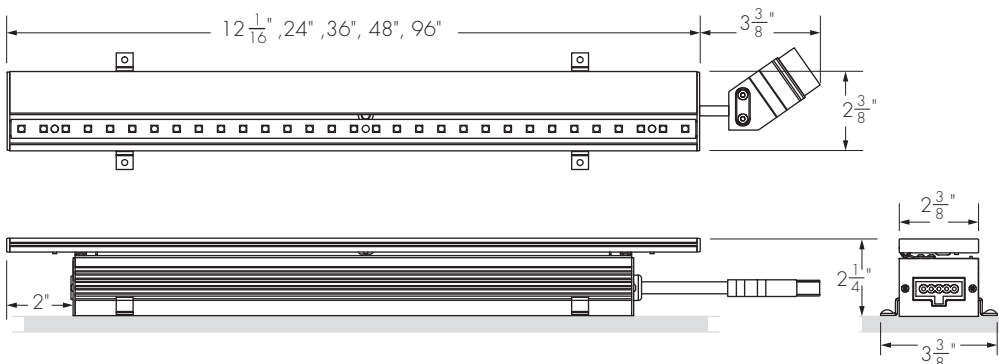
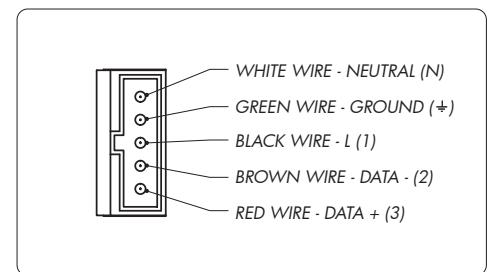
- Video type tri-color leds
- 1 foot resolution
- Lumen maintenance L70 @ 25°C - 80 000 hrs
- Lumen measurements comply with **LM - 79 - 08** standard

### Electrical :

- Line voltage luminaire for 120 to 277 V
- Power and data in 1 cable
- Up to 175 feet on 1 power/DATA feed
- 4.5 watts per foot
- DMX 512 ready

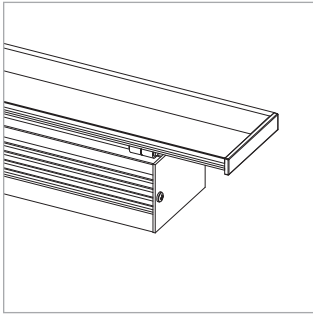


### Wiring detail

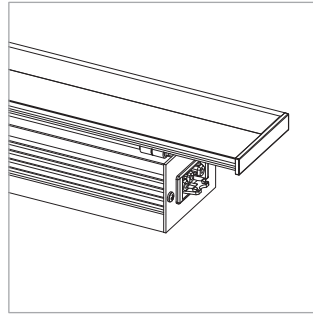


5 year warranty

## FEEDING OPTIONS



**SF**  
Single Feed



**FT**  
Feed Through

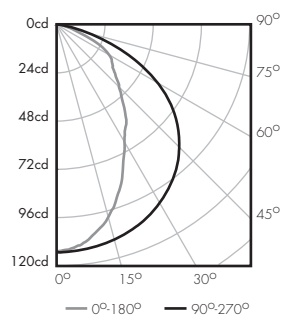
## PHOTOMETRICS

### Lumencove RGB 4'

full white  
clear lens

Lamping	18 W
Lumens	240
Efficacy	13.3 lm/W

### Polar Candela Distribution



### Candela Table

	0	22.5	45	67.5	90
0	113.2	113.2	113.2	113.2	113.2
5	110.9	110.8	111.5	112.3	113
15	99.1	100.9	103.8	108.6	110.7
25	78.1	81.3	89.3	99.4	106.1
35	60.4	60.6	67.4	85.5	97.9
45	43.7	44.5	49.5	63.8	86.1
55	33.5	31.5	32.7	39.3	69.2
65	22.2	23.6	18.8	22.1	44.1
75	6.12	6.5	7.9	8	15
85	1	0.9	1.4	0.8	0.9
90	0	0	0	0	0

Photometric data based on test results from an independent NIST traceable testing lab.  
IES data is available at [www.lumenpulse.com/en/downloads.html](http://www.lumenpulse.com/en/downloads.html)

## CONTROL SYSTEM & ACCESSORIES

Order seperatly

### Leader Cable RGB :

**LCSLCD**\_\_\_\_\_ Leader cables for Lumencove RGB.  
Please specify length : 6, 8 or 10 feet

### Jumper Cable RGB :

**LCSJCD**\_\_\_\_\_ Jumper cables for Lumencove RGB.  
Please specify length : 1, 2, 4 or 8 feet

### CBOX :

**CBOX - \_\_\_V-\_\_\_** DMX 512 power and data box.  
Data input and output, 1/2" provision holes with plugs.  
Voltage input and output, 1/2" provisions holes with plugs.  
Up to four outputs to fixtures, 1/2" provisions holes with plugs.  
Please specify desired input voltage and finish (SI - silver standard finish).

### Control Systems :

- LTO** Lumentouch is a wall mount DMX 512 controller keypad
- LCU** lumencue is a USB / mini SD DMX 512 controller
- LID** lumenID is a serializing and addressing DMX 512 controller



## HOW TO ORDER

1	2	3	4	5	6	7
Housing	Voltage	Length	Colors and color temperatures	Lens	Feeding	Finish
LCS	_____	_____	RGB	_____	_____	_____

1 | \_\_\_\_\_

### Housing :

**LCS** - Lumencove

2 | \_\_\_\_\_

### Voltage :

**120** - 120 volts  
**208** - 208 volts  
**240** - 240 volts  
**277** - 277 volts

3 | \_\_\_\_\_

### Length :

**12** - 12 inches (0.72 kg/1.59 lbs)  
**24** - 24 inches (1.45 kg/3.19 lbs)  
**36** - 36 inches (2.16 kg/4.77 lbs)  
**48** - 48 inches (2.57 kg/5.68 lbs)  
**96** - 96 inches (5.76 kg/12.72 lbs)

4 | \_\_\_\_\_

### Colors and Color temperatures :

**RGB** - 16,7 million colors, additive RGB

5 | \_\_\_\_\_

### Lens :

**CL** - Clear lens  
**FR** - Frosted lens

6 | \_\_\_\_\_

### Feeding :

**SF** - Single feed  
**FT** - Feed through

7 | \_\_\_\_\_

### Finish :

**MS** - Metallic Silver semi-gloss  
**CC** - Custom (please specify RAL color)