

SPECIFICATION SHEET

lumencove™

WHITE & STATIC COLORS

Client : _____

Project name : _____

Order # : _____

Type : _____ Qty. : _____

FEATURES & BENEFITS

Physical :

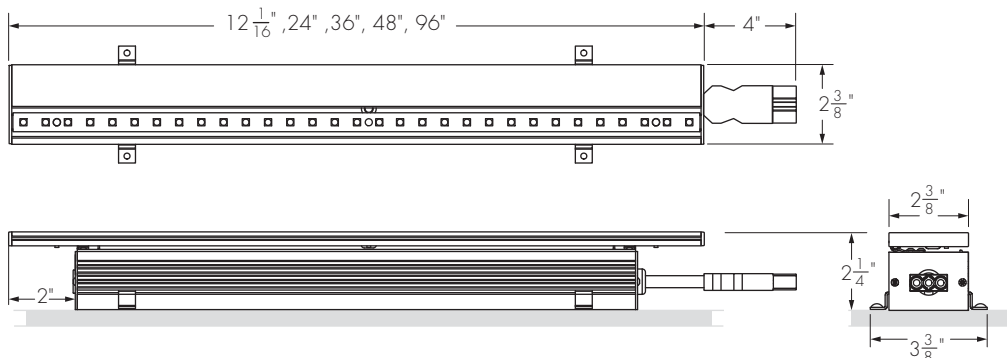
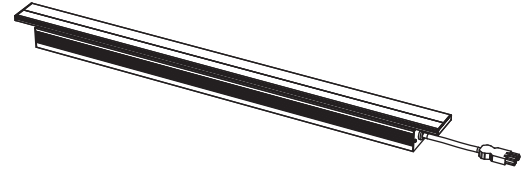
- Low copper content extruded aluminum housing
- Available in 1', 2', 3', 4' and 8' sections
- Electro-statically applied polyester powder coat finish
- Tool-less LED frame adjustable mechanism
- Low profile design

Performance :

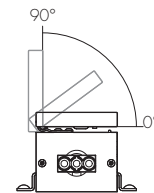
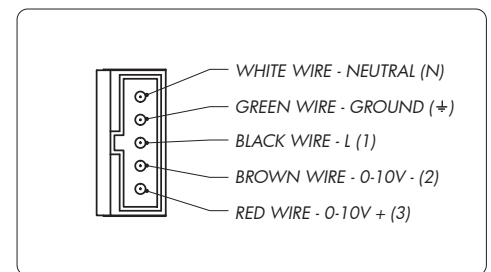
- 320 delivered lumens per foot (4000° K)
- Lumen maintenance L70 @ 25°C - 80 000 hrs
- Lumen measurements comply with **LM - 79 - 08** standard

Electrical :

- Line voltage luminaire for 120 to 277 V
- Power and data in 1 cable
- Up to 175 feet on 1 power feed
- 5 watts per foot
- 0-10V dimming option



Wiring detail - dimming



5 year warranty

p.1/5



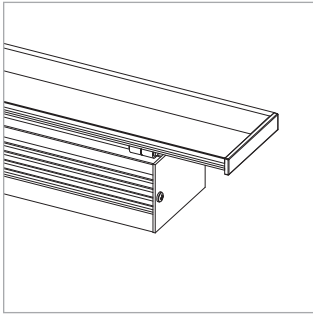
2010.07.22
AJ - R24

Lumenpulse, 1751 Richardson, Suite 1300, Montreal (Quebec) Canada H3K 1G6 1.877.937.3003 P.514.937.3003 F.514.937.6289
info@lumenpulse.com www.lumenpulse.com

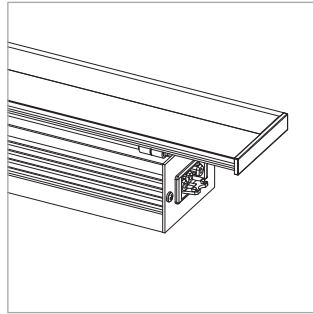
lumenpulse™

Sustainable architectural LED lighting systems

FEEDING OPTIONS



SF
Single Feed



FT
Feed Through



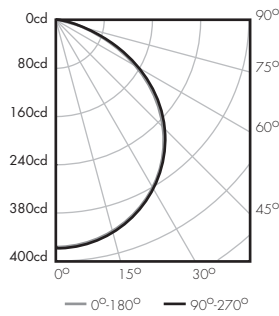
PHOTOMETRICS

Lumencove 4'

3000K
clear lens

Lamping	20 W
Lumens	934
Efficacy	46.7 lm/W

Polar Candela Distribution



Candela Table

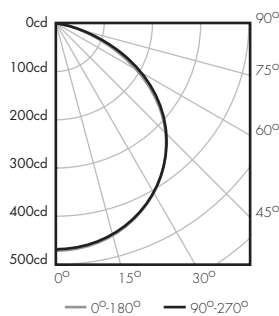
	0	22.5	45	67.5	90
0	349	349	349	349	349
5	348	346	346	348	349
15	336	335	335	337	338
25	313	312	312	315	315
35	278	278	278	281	281
45	231	231	232	235	236
55	173	171	173	178	179
65	103	101	103	109	110
75	37	36	37	39	40
85	5	4	4	4	3
90	0	0	0	0	0

Lumencove 4'

4000K
clear lens

Lamping	20 W
Lumens	1281
Efficacy	64 lm/W

Polar Candela Distribution



Candela Table

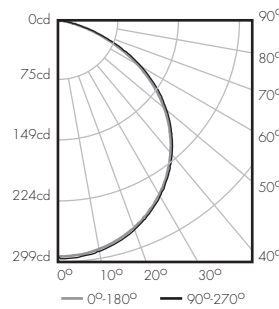
	0	22.5	45	67.5	90
0	472	472	472	472	472
5	470	470	468	470	468
15	456	454	454	456	452
25	424	424	426	426	424
35	382	380	380	382	382
45	320	320	320	322	322
55	240	240	242	246	248
65	142	140	146	150	154
75	50	50	52	154	156
85	6	6	6	6	4
90	0	0	0	0	0

Lumencove 4'

3000K
frosted lens

Lamping	20 W
Lumens	794
Efficacy	39.7 lm/W

Polar Candela Distribution



Candela Table

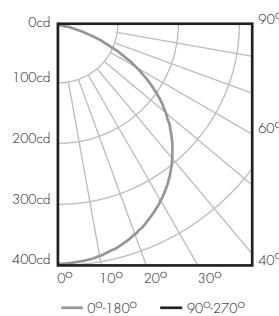
	0	22.5	45	67.5	90
0	296.8	296.8	296.8	296.8	296.8
5	295.7	294.7	294.7	297.6	297.4
15	285.5	284.7	285	287.1	287.6
25	266.3	265.5	265.5	267.7	267.9
35	236.9	236.2	236.2	238.8	239
45	197	196.3	197.1	200.2	200.7
55	147.3	145.6	147.2	151.8	152.4
65	88.2	86.3	88.2	92.9	93.4
75	31.7	31.1	32.1	33.6	34
85	4.2	3.9	3.9	3.4	3
90	0	0	0	0	0

Lumencove 4'

4000K
frosted lens

Lamping	20 W
Lumens	1089
Efficacy	54.4 lm/W

Polar Candela Distribution



Candela Table

	0	22.5	45	67.5	90
0	400.8	400.8	400.8	400.8	400.8
5	398.9	398.9	398.9	398.9	392.7
15	386.3	385.3	383.6	383.6	381.9
25	361.5	358.2	361.5	361.5	358.2
35	323.8	321.1	321.1	323.8	323.8
45	272.8	272.8	272.8	272	272
55	206.5	206.5	205.7	207.4	210.8
65	124.2	119	124.1	127.5	130.9
75	44.5	44.5	44.2	45.9	47.6
85	5.1	5.1	5.1	5.1	3.4
90	0	0	0	0	0

Photometric data based on test results from an independent NIST traceable testing lab.
IES data is available at www.lumenpulse.com/en/downloads.html



POWER & DATA CABLE ACCESSORIES

Order seperatly

Leader Cable :

LCSLC _____ Leader Cable for Lumencove.
Please add desired cable length : 6, 8, or 10 feet

LCSLCD _____ Leader Cable for Lumencove dimming.
Please add desired cable length : 6, 8, or 10 feet

Jumper Cable :

LCSJC _____ Jumper Cable for Lumencove.
Please add desired cable length : 1, 2, 4 or 8 feet

LCSJCD _____ Jumper Cable for Lumencove dimming.
Please add desired cable length : 1, 2, 4 or 8 feet



HOW TO ORDER

1	2	3	4	5	6	7	8
Housing	Voltage	Length	Colors and color temperatures	Lens	Feeding	Finish	Option
LCS							

1 | _____

Housing :

LCS - Lumencove

2 | _____

Voltage :

120 - 120 volts
208 - 208 volts
240 - 240 volts
277 - 277 volts

3 | _____

Length :

12 - 12 inches (0.72 kg/1.59 lbs)
24 - 24 inches (1.45 kg/3.19 lbs)
36 - 36 inches (2.16 kg/4.77 lbs)
48 - 48 inches (2.57 kg/5.68 lbs)
96 - 96 inches (5.76 kg/12.72 lbs)

4 | _____

Colors and Color temperatures :

30K - 3000° K
40K - 4000° K
RD - Red
GR - Green
BL - Blue

5 | _____

Lens :

CL - Clear lens
FR - Frosted lens

6 | _____

Feeding :

SF - Single feed
FT - Feed through

7 | _____

Finish :

MS - Metallic Silver semi-gloss
CC - Custom (Please specify RAL color)

8 | _____

Option :

DIM - 0-10V Dimming option

