

SPECIFICATION SHEET

lumentube™

CLOSET REMOTE DRIVER

Client : _____

Project name : _____

Order # : _____

Type : _____ Qty. : _____

FEATURES & BENEFITS

Physical :

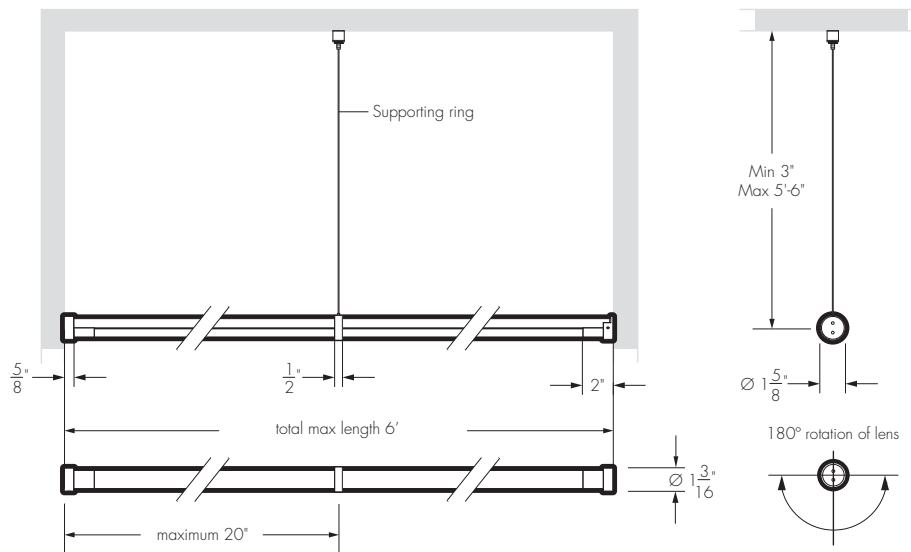
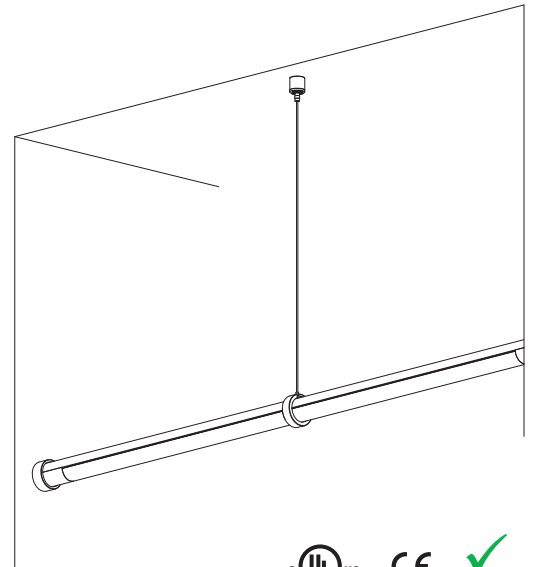
- Low copper content extruded aluminum housing
- Available in 1' to 6' sections
- Electro-statically applied polyester powder coat finish
- Clear or frosted lens
- Supporting rings provided according to length
- Maximum load must not exceed 25 lbs/ft

Performance :

- 243 delivered lumens per foot (4000° K)
- Lumen maintenance L70 @ 25°C - 80 000 hrs
- Lumen measurements comply with **LM - 79 - 08** standard

Electrical :

- 24V luminaire available with 120 to 277V remote driver
- 5 watts per foot
- 0-10 volt dimming option



5 year warranty

p.1/3



2010.03.01
AJ - R6

Lumenpulse, 1751 Richardson, Suite 1300, Montreal (Quebec) Canada H3K 1G6 1.877.937.3003 P.514.937.3003 F.514.937.6289
info@lumenpulse.com www.lumenpulse.com

lumenpulse™

Sustainable architectural LED lighting systems

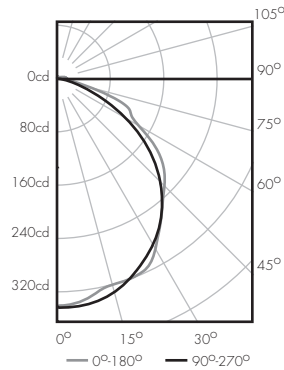
PHOTOMETRICS

Lumentube 4'

4000K
clear lens

| | |
|----------|-----------|
| Lamping | 20 W |
| Lumens | 973.2 |
| Efficacy | 48.6 lm/W |

Polar Candela Distribution



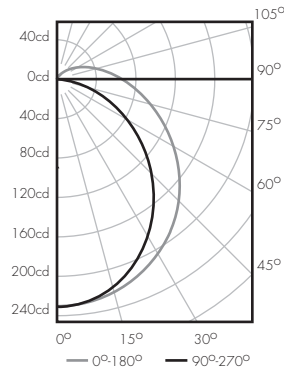
Candela Table

| | 0 | 22.5 | 45 | 67.5 | 90 |
|-----|-------|-------|-------|-------|-------|
| 0 | 342 | 342 | 342 | 342 | 342 |
| 15 | 320.4 | 320.2 | 322.6 | 330.2 | 331.6 |
| 25 | 315.2 | 315 | 305.8 | 299.6 | 304 |
| 35 | 269.4 | 274.4 | 279.6 | 266 | 268.2 |
| 45 | 227.8 | 226.8 | 225.2 | 226.8 | 218.6 |
| 55 | 181 | 182.2 | 173.4 | 166.4 | 155.2 |
| 65 | 121.8 | 117.2 | 116.4 | 101.4 | 81.8 |
| 75 | 51.6 | 63.4 | 66.8 | 50.2 | 26.2 |
| 90 | 14.4 | 14.8 | 16.2 | 12 | 0 |
| 105 | 9 | 8.6 | 6.8 | 2.0 | 0 |
| 115 | 5 | 4.6 | 3.2 | 0.2 | 0 |
| 125 | 2.2 | 2 | 1 | 0 | 0 |
| 135 | 0.8 | 0.6 | 0.2 | 0 | 0 |

Lumentube 4'

4000K
frosted lens

| | |
|----------|-----------|
| Lamping | 20 W |
| Lumens | 831.8 |
| Efficacy | 41.5 lm/W |

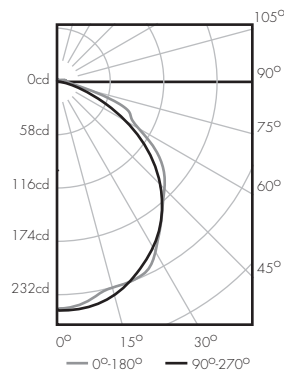


| | 0 | 22.5 | 45 | 67.5 | 90 |
|-----|-------|-------|-------|-------|-------|
| 0 | 230.6 | 230.6 | 230.6 | 230.6 | 230.6 |
| 15 | 223.6 | 222.8 | 220.8 | 219.6 | 218.4 |
| 25 | 212 | 209.8 | 204.4 | 199.6 | 197.4 |
| 35 | 195.6 | 191.6 | 181.4 | 172.4 | 168.8 |
| 45 | 174.4 | 169 | 154.6 | 140.6 | 135.4 |
| 55 | 149.6 | 143.2 | 126 | 107.2 | 100 |
| 65 | 123 | 116.6 | 97.8 | 75.6 | 64.6 |
| 75 | 98 | 91.6 | 72.8 | 47.8 | 31.8 |
| 90 | 65.8 | 60.2 | 43.2 | 19 | 0 |
| 105 | 41.4 | 36.6 | 23.4 | 6.6 | 0 |
| 115 | 29 | 25.2 | 14.8 | 3.2 | 0 |
| 125 | 19 | 16.2 | 8.6 | 1.4 | 0 |
| 135 | 11.4 | 9.4 | 4.6 | 0.6 | 0 |
| 145 | 5.8 | 4.6 | 2.0 | 0.2 | 0 |
| 155 | 2.2 | 1.6 | 0.8 | 0 | 0 |
| 165 | 0.6 | 0.4 | 0 | 0 | 0 |

Lumentube 4'

3000K
clear lens

| | |
|----------|-----------|
| Lamping | 20 W |
| Lumens | 710.4 |
| Efficacy | 35.5 lm/W |

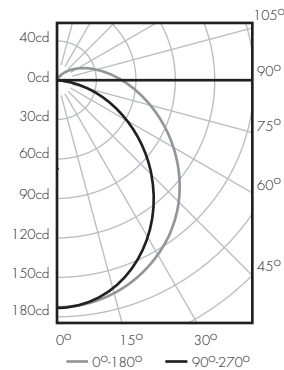


| | 0 | 22.5 | 45 | 67.5 | 90 |
|-----|-------|-------|-------|-------|-------|
| 0 | 249.6 | 249.6 | 249.6 | 249.6 | 249.6 |
| 15 | 233.8 | 233.7 | 235.4 | 241 | 242 |
| 25 | 230 | 229.9 | 223.2 | 218.6 | 221.9 |
| 35 | 196.6 | 200.3 | 204 | 194.1 | 195.7 |
| 45 | 166.2 | 165.5 | 164.3 | 165.5 | 159.5 |
| 55 | 132.1 | 132.9 | 126.5 | 121.4 | 113.2 |
| 65 | 88.9 | 85.5 | 84.9 | 74 | 59.7 |
| 75 | 37.6 | 46.2 | 48.7 | 36.6 | 19.1 |
| 90 | 9.4 | 9.1 | 8.3 | 4.9 | 0 |
| 105 | 6.5 | 6.2 | 4.9 | 1.4 | 0 |
| 115 | 3.6 | 3.3 | 2.3 | 0.1 | 0 |
| 125 | 1.6 | 1.4 | 0.7 | 0 | 0 |
| 135 | 0.5 | 0.4 | 0.1 | 0 | 0 |

Lumentube 4'

3000K
frosted lens

| | |
|----------|-----------|
| Lamping | 20 W |
| Lumens | 607.2 |
| Efficacy | 30.3 lm/W |



| | 0 | 22.5 | 45 | 67.5 | 90 |
|-----|-------|-------|-------|-------|-------|
| 0 | 168.3 | 168.3 | 168.3 | 168.3 | 168.3 |
| 15 | 163.2 | 162.6 | 161.1 | 160.3 | 159.4 |
| 25 | 154.7 | 153.1 | 149.2 | 145.7 | 144 |
| 35 | 142.7 | 139.8 | 132.4 | 125.8 | 123.2 |
| 45 | 127.3 | 123.3 | 112.8 | 102.6 | 98.8 |
| 55 | 109.2 | 104.5 | 91.9 | 78.2 | 72.9 |
| 65 | 89.7 | 85.1 | 71.3 | 55.1 | 47.1 |
| 75 | 71.5 | 66.8 | 53.1 | 34.8 | 23.2 |
| 90 | 48 | 43.9 | 31.5 | 13.8 | 0 |
| 105 | 30.2 | 26.7 | 17 | 4.8 | 0 |
| 115 | 21.1 | 18.3 | 10.8 | 2.3 | 0 |
| 125 | 13.8 | 11.8 | 6.2 | 1 | 0 |
| 135 | 8.3 | 6.8 | 3.3 | 0.4 | 0 |
| 145 | 4.2 | 3.3 | 1.4 | 0.1 | 0 |
| 155 | 1.6 | 1.1 | 0.5 | 0 | 0 |
| 165 | 0.4 | 0.2 | 0 | 0 | 0 |

Photometric data based on test results from an independent NIST traceable testing lab.

IES data is available at www.lumenpulse.com/en/downloads.html



HOW TO ORDER

| 1 | 2 | 3 | 4 | 5 | 6 | 7 |
|---------|---------|--------|-------|-------------------------------|--------|--------|
| Housing | Voltage | Length | Lens | Colors and color temperatures | Finish | Option |
| LTC | _____ | _____ | _____ | _____ | _____ | _____ |

1 | _____

Housing :

LTC - Lumentube closet - remote driver

2 | _____

Voltage :

- 120** - 120 volts
- 208** - 208 volts
- 240** - 240 volts
- 277** - 277 volts

3 | _____

Length :

- 12** - 12 inches (0.25 kg / 0.56 lbs)
- 24** - 24 inches (0.38 kg / 0.75 lbs)
- 36** - 36 inches (0.57 kg / 1.25 lbs)
- 48** - 48 inches (0.76 kg / 1.67 lbs)
- 60** - 60 inches (0.95 kg / 2.09 lbs)
- 72** - 72 inches (1.14 kg / 2.51 lbs)
- CC** - Custom length (72" max.)

4 | _____

Lens :

- CL** - Clear lens
- FR** - Frosted lens

5 | _____

Colors and Color temperatures :

- 30K** - 3000° K
- 40K** - 4000° K

6 | _____

Finish :

- WH** - White
- BK** - Black
- MS** - Metallic Silver
- CC** - Custom (Please specify RAL color)

7 | _____

Option :

- DIM** - 0-10V Dimming option



SPECIFICATION SHEET

lumentube™
CLOSET INTEGRAL DRIVER

Client : _____

Project name : _____

Order # : _____

Type : _____ Qty. : _____

FEATURES & BENEFITS

Physical :

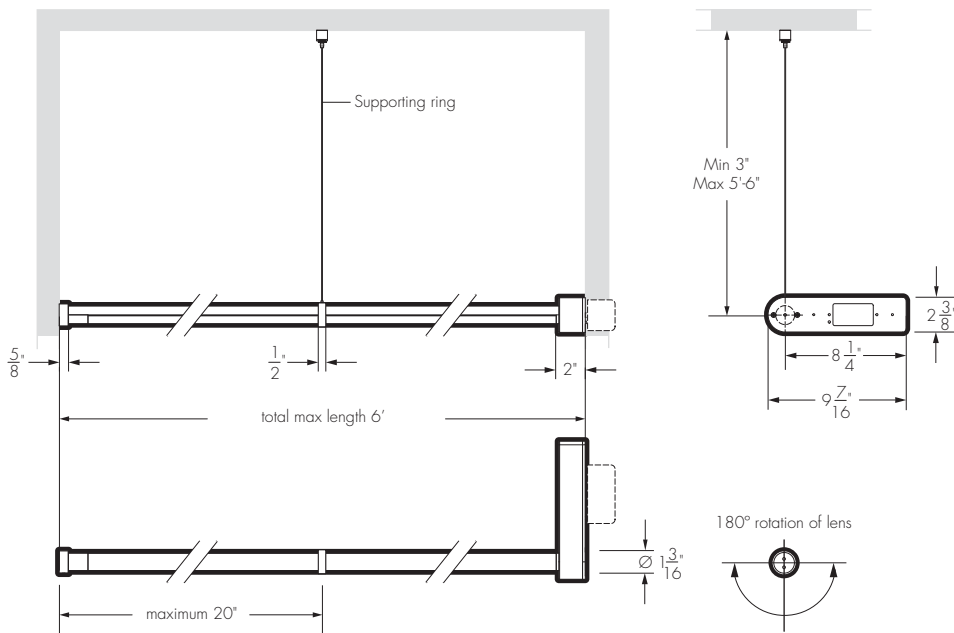
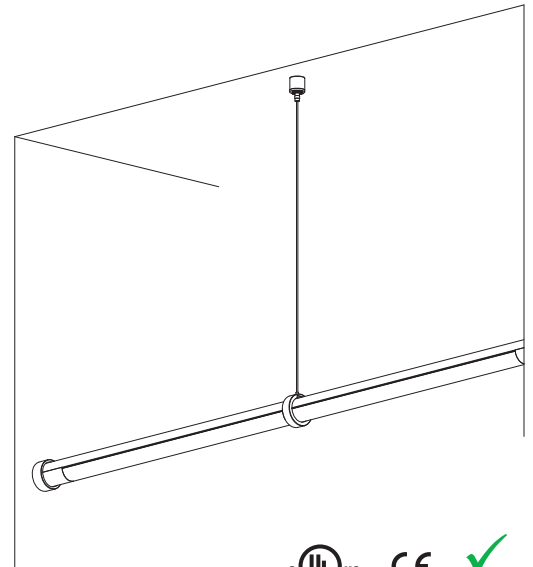
- Low copper content extruded aluminum housing
- Available in 1' to 6' sections
- Electro-statically applied polyester powder coat finish
- Clear or frosted lens
- Supporting rings provided according to length
- Maximum load must not exceed 25 lbs/ft

Performance :

- 243 delivered lumens per foot (4000° K)
- Lumen maintenance L70 @ 25°C - 80 000 hrs
- Lumen measurements comply with **LM - 79 - 08** standard

Electrical :

- 24V luminaire available with 120 to 277V integral driver
- 5 watts per foot
- 0-10 volt dimming option



5 year warranty

p.1/3



2010.03.01
AJ - R14

Lumenpulse, 1751 Richardson, Suite 1300, Montreal (Quebec) Canada H3K 1G6 1.877.937.3003 P. 514.937.3003 F. 514.937.6289
info@lumenpulse.com www.lumenpulse.com

lumenpulse™

Sustainable architectural LED lighting systems

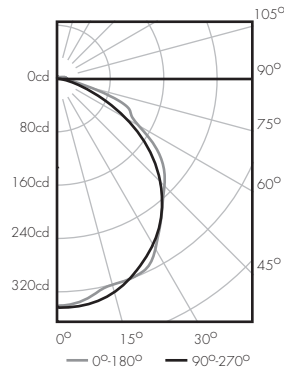
PHOTOMETRICS

Lumentube 4'

4000K
clear lens

| | |
|----------|-----------|
| Lamping | 20 W |
| Lumens | 973.2 |
| Efficacy | 48.6 lm/W |

Polar Candela Distribution



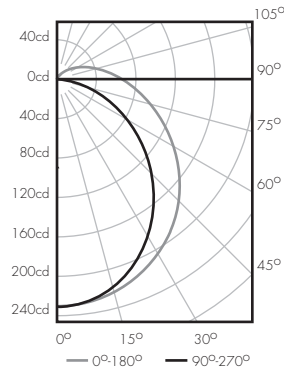
Candela Table

| | 0 | 22.5 | 45 | 67.5 | 90 |
|-----|-------|-------|-------|-------|-------|
| 0 | 342 | 342 | 342 | 342 | 342 |
| 15 | 320.4 | 320.2 | 322.6 | 330.2 | 331.6 |
| 25 | 315.2 | 315 | 305.8 | 299.6 | 304 |
| 35 | 269.4 | 274.4 | 279.6 | 266 | 268.2 |
| 45 | 227.8 | 226.8 | 225.2 | 226.8 | 218.6 |
| 55 | 181 | 182.2 | 173.4 | 166.4 | 155.2 |
| 65 | 121.8 | 117.2 | 116.4 | 101.4 | 81.8 |
| 75 | 51.6 | 63.4 | 66.8 | 50.2 | 26.2 |
| 90 | 14.4 | 14.8 | 16.2 | 12 | 0 |
| 105 | 9 | 8.6 | 6.8 | 2.0 | 0 |
| 115 | 5 | 4.6 | 3.2 | 0.2 | 0 |
| 125 | 2.2 | 2 | 1 | 0 | 0 |
| 135 | 0.8 | 0.6 | 0.2 | 0 | 0 |

Lumentube 4'

4000K
frosted lens

| | |
|----------|-----------|
| Lamping | 20 W |
| Lumens | 831.8 |
| Efficacy | 41.5 lm/W |

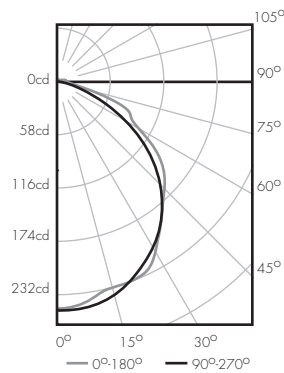


| | 0 | 22.5 | 45 | 67.5 | 90 |
|-----|-------|-------|-------|-------|-------|
| 0 | 230.6 | 230.6 | 230.6 | 230.6 | 230.6 |
| 15 | 223.6 | 222.8 | 220.8 | 219.6 | 218.4 |
| 25 | 212 | 209.8 | 204.4 | 199.6 | 197.4 |
| 35 | 195.6 | 191.6 | 181.4 | 172.4 | 168.8 |
| 45 | 174.4 | 169 | 154.6 | 140.6 | 135.4 |
| 55 | 149.6 | 143.2 | 126 | 107.2 | 100 |
| 65 | 123 | 116.6 | 97.8 | 75.6 | 64.6 |
| 75 | 98 | 91.6 | 72.8 | 47.8 | 31.8 |
| 90 | 65.8 | 60.2 | 43.2 | 19 | 0 |
| 105 | 41.4 | 36.6 | 23.4 | 6.6 | 0 |
| 115 | 29 | 25.2 | 14.8 | 3.2 | 0 |
| 125 | 19 | 16.2 | 8.6 | 1.4 | 0 |
| 135 | 11.4 | 9.4 | 4.6 | 0.6 | 0 |
| 145 | 5.8 | 4.6 | 2.0 | 0.2 | 0 |
| 155 | 2.2 | 1.6 | 0.8 | 0 | 0 |
| 165 | 0.6 | 0.4 | 0 | 0 | 0 |

Lumentube 4'

3000K
clear lens

| | |
|----------|-----------|
| Lamping | 20 W |
| Lumens | 710.4 |
| Efficacy | 35.5 lm/W |

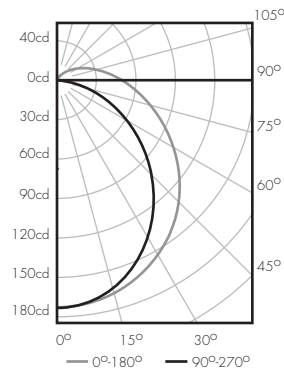


| | 0 | 22.5 | 45 | 67.5 | 90 |
|-----|-------|-------|-------|-------|-------|
| 0 | 249.6 | 249.6 | 249.6 | 249.6 | 249.6 |
| 15 | 233.8 | 233.7 | 235.4 | 241 | 242 |
| 25 | 230 | 229.9 | 223.2 | 218.6 | 221.9 |
| 35 | 196.6 | 200.3 | 204 | 194.1 | 195.7 |
| 45 | 166.2 | 165.5 | 164.3 | 165.5 | 159.5 |
| 55 | 132.1 | 132.9 | 126.5 | 121.4 | 113.2 |
| 65 | 88.9 | 85.5 | 84.9 | 74 | 59.7 |
| 75 | 37.6 | 46.2 | 48.7 | 36.6 | 19.1 |
| 90 | 9.4 | 9.1 | 8.3 | 4.9 | 0 |
| 105 | 6.5 | 6.2 | 4.9 | 1.4 | 0 |
| 115 | 3.6 | 3.3 | 2.3 | 0.1 | 0 |
| 125 | 1.6 | 1.4 | 0.7 | 0 | 0 |
| 135 | 0.5 | 0.4 | 0.1 | 0 | 0 |

Lumentube 4'

3000K
frosted lens

| | |
|----------|-----------|
| Lamping | 20 W |
| Lumens | 607.2 |
| Efficacy | 30.3 lm/W |



| | 0 | 22.5 | 45 | 67.5 | 90 |
|-----|-------|-------|-------|-------|-------|
| 0 | 168.3 | 168.3 | 168.3 | 168.3 | 168.3 |
| 15 | 163.2 | 162.6 | 161.1 | 160.3 | 159.4 |
| 25 | 154.7 | 153.1 | 149.2 | 145.7 | 144 |
| 35 | 142.7 | 139.8 | 132.4 | 125.8 | 123.2 |
| 45 | 127.3 | 123.3 | 112.8 | 102.6 | 98.8 |
| 55 | 109.2 | 104.5 | 91.9 | 78.2 | 72.9 |
| 65 | 89.7 | 85.1 | 71.3 | 55.1 | 47.1 |
| 75 | 71.5 | 66.8 | 53.1 | 34.8 | 23.2 |
| 90 | 48 | 43.9 | 31.5 | 13.8 | 0 |
| 105 | 30.2 | 26.7 | 17 | 4.8 | 0 |
| 115 | 21.1 | 18.3 | 10.8 | 2.3 | 0 |
| 125 | 13.8 | 11.8 | 6.2 | 1 | 0 |
| 135 | 8.3 | 6.8 | 3.3 | 0.4 | 0 |
| 145 | 4.2 | 3.3 | 1.4 | 0.1 | 0 |
| 155 | 1.6 | 1.1 | 0.5 | 0 | 0 |
| 165 | 0.4 | 0.2 | 0 | 0 | 0 |

Photometric data based on test results from an independent NIST traceable testing lab. IES data is available at www.lumenpulse.com/en/downloads.html



HOW TO ORDER

| 1 | 2 | 3 | 4 | 5 | 6 | 7 |
|---------|---------|--------|------|-------------------------------|--------|--------|
| Housing | Voltage | Length | Lens | Colors and color temperatures | Finish | Option |
| LTI | | | | | | |

1 | _____

Housing :

LTI - Lumentube closet - integral driver

2 | _____

Voltage :

120 - 120 volts
 208 - 208 volts
 240 - 240 volts
 277 - 277 volts

3 | _____

Length :

12 - 12 inches (0.25 kg / 0.56 lbs)
 24 - 24 inches (0.38 kg / 0.75 lbs)
 36 - 36 inches (0.57 kg / 1.25 lbs)
 48 - 48 inches (0.76 kg / 1.67 lbs)
 60 - 60 inches (0.95 kg / 2.09 lbs)
 72 - 72 inches (1.14 kg / 2.51 lbs)
 CC - Custom length (72" max.)

4 | _____

Lens :

CL - Clear lens
 FR - Frosted lens

5 | _____

Colors and Color temperatures :

30K - 3000° K
 40K - 4000° K

6 | _____

Finish :

WH - White
 BK - Black
 MS - Metallic Silver
 CC - Custom (Please specify RAL color)

7 | _____

Option :

LD - Left driver

