

Client : _____

Project name : _____

Order # : _____

Type : _____ Qty. : _____

FEATURES & BENEFITS

Physical :

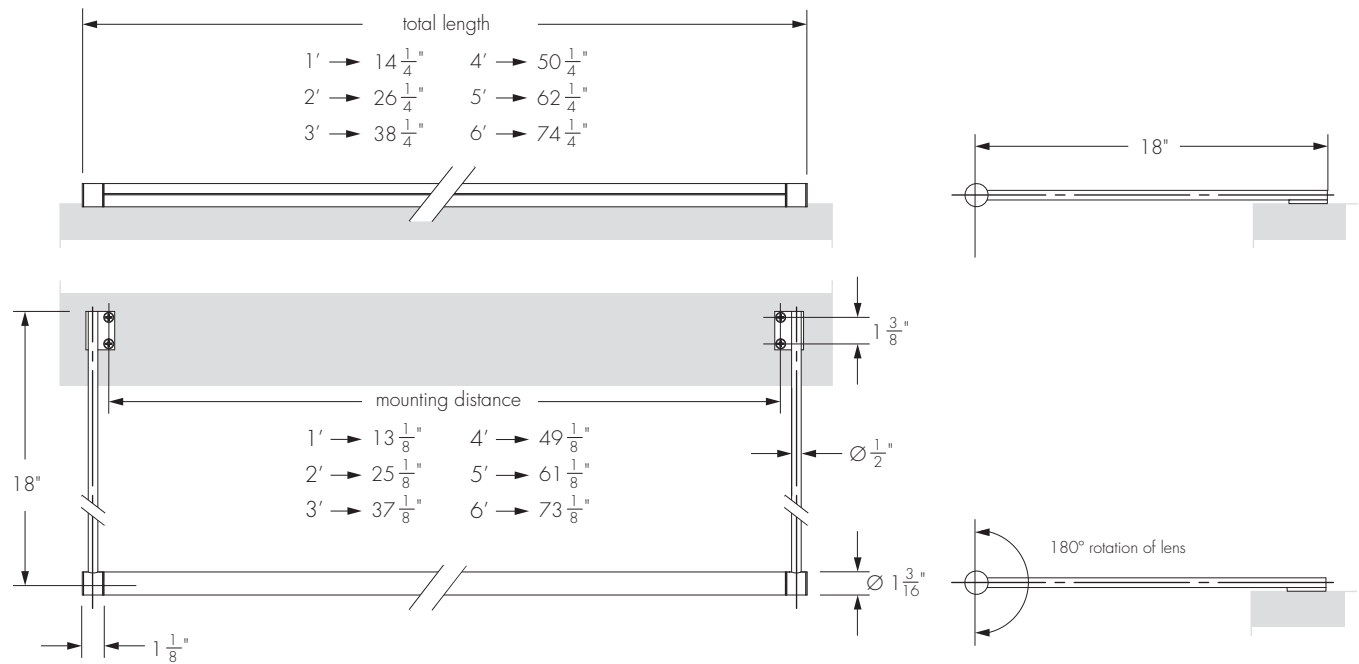
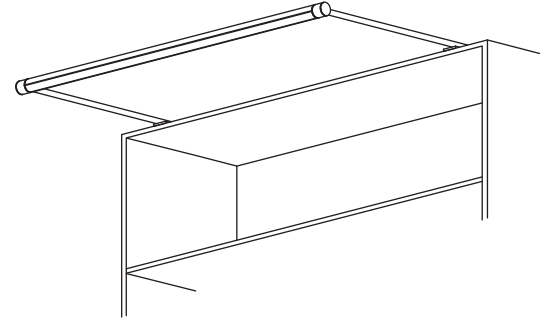
- Low copper content extruded aluminum housing
- Available in 1' to 6' sections
- Electro-statically applied polyester powder coat finish
- Clear or frosted lens

Performance :

- 243 delivered lumens per foot (4000° K)
- Lumen maintenance L70 @ 25°C - 80 000 hrs
- Lumen measurements comply with **LM - 79 - 08** standard

Electrical :

- 24V luminaire available with 120 to 277V remote driver
- 5 watts per foot
- 0-10 volt dimming option



5 year warranty



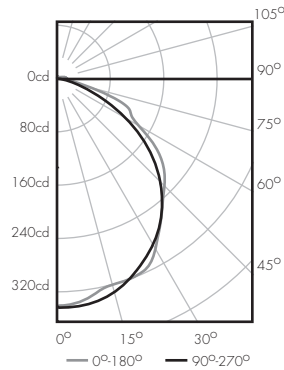
PHOTOMETRICS

Lumentube 4'

4000K
clear lens

Lamping	20 W
Lumens	973.2
Efficacy	48.6 lm/W

Polar Candela Distribution



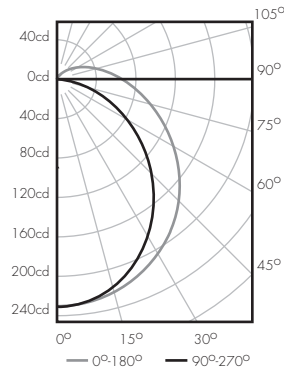
Candela Table

	0	22.5	45	67.5	90
0	342	342	342	342	342
15	320.4	320.2	322.6	330.2	331.6
25	315.2	315	305.8	299.6	304
35	269.4	274.4	279.6	266	268.2
45	227.8	226.8	225.2	226.8	218.6
55	181	182.2	173.4	166.4	155.2
65	121.8	117.2	116.4	101.4	81.8
75	51.6	63.4	66.8	50.2	26.2
90	14.4	14.8	16.2	12	0
105	9	8.6	6.8	2.0	0
115	5	4.6	3.2	0.2	0
125	2.2	2	1	0	0
135	0.8	0.6	0.2	0	0

Lumentube 4'

4000K
frosted lens

Lamping	20 W
Lumens	831.8
Efficacy	41.5 lm/W

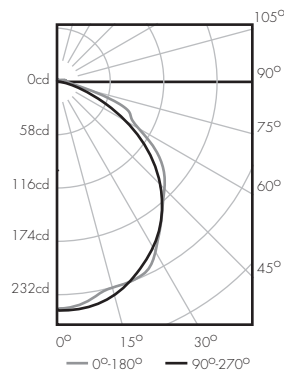


	0	22.5	45	67.5	90
0	230.6	230.6	230.6	230.6	230.6
15	223.6	222.8	220.8	219.6	218.4
25	212	209.8	204.4	199.6	197.4
35	195.6	191.6	181.4	172.4	168.8
45	174.4	169	154.6	140.6	135.4
55	149.6	143.2	126	107.2	100
65	123	116.6	97.8	75.6	64.6
75	98	91.6	72.8	47.8	31.8
90	65.8	60.2	43.2	19	0
105	41.4	36.6	23.4	6.6	0
115	29	25.2	14.8	3.2	0
125	19	16.2	8.6	1.4	0
135	11.4	9.4	4.6	0.6	0
145	5.8	4.6	2.0	0.2	0
155	2.2	1.6	0.8	0	0
165	0.6	0.4	0	0	0

Lumentube 4'

3000K
clear lens

Lamping	20 W
Lumens	710.4
Efficacy	35.5 lm/W

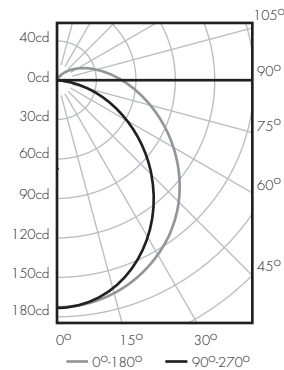


	0	22.5	45	67.5	90
0	249.6	249.6	249.6	249.6	249.6
15	233.8	233.7	235.4	241	242
25	230	229.9	223.2	218.6	221.9
35	196.6	200.3	204	194.1	195.7
45	166.2	165.5	164.3	165.5	159.5
55	132.1	132.9	126.5	121.4	113.2
65	88.9	85.5	84.9	74	59.7
75	37.6	46.2	48.7	36.6	19.1
90	9.4	9.1	8.3	4.9	0
105	6.5	6.2	4.9	1.4	0
115	3.6	3.3	2.3	0.1	0
125	1.6	1.4	0.7	0	0
135	0.5	0.4	0.1	0	0

Lumentube 4'

3000K
frosted lens

Lamping	20 W
Lumens	607.2
Efficacy	30.3 lm/W



	0	22.5	45	67.5	90
0	168.3	168.3	168.3	168.3	168.3
15	163.2	162.6	161.1	160.3	159.4
25	154.7	153.1	149.2	145.7	144
35	142.7	139.8	132.4	125.8	123.2
45	127.3	123.3	112.8	102.6	98.8
55	109.2	104.5	91.9	78.2	72.9
65	89.7	85.1	71.3	55.1	47.1
75	71.5	66.8	53.1	34.8	23.2
90	48	43.9	31.5	13.8	0
105	30.2	26.7	17	4.8	0
115	21.1	18.3	10.8	2.3	0
125	13.8	11.8	6.2	1	0
135	8.3	6.8	3.3	0.4	0
145	4.2	3.3	1.4	0.1	0
155	1.6	1.1	0.5	0	0
165	0.4	0.2	0	0	0

Photometric data based on test results from an independent NIST traceable testing lab. IES data is available at www.lumenpulse.com/en/downloads.html



HOW TO ORDER

1	2	3	4	5	6	7
Housing	Voltage	Length	Lens	Colors and color temperatures	Finish	Option
LTB	_____	_____	_____	_____	_____	_____

1 | _____

Housing :

LTB - Lumentube bookshelf

2 | _____

Voltage :

120 - 120 volts
208 - 208 volts
240 - 240 volts
277 - 277 volts

3 | _____

Length :

12 - 12 inches (0.77 kg / 1.71 lbs)
24 - 24 inches (0.86 kg / 1.9 lbs)
36 - 36 inches (1.08 kg / 2.4 lbs)
48 - 48 inches (1.27 kg / 2.82 lbs)
60 - 60 inches (1.46 kg / 3.24 lbs)
72 - 72 inches (1.66 kg / 3.66 lbs)

4 | _____

Lens :

CL - Clear lens
FR - Frosted lens

5 | _____

Colors and Color temperatures :

30K - 3000° K
40K - 4000° K

6 | _____

Finish :

WH - White
BK - Black
MS - Metallic Silver
CC - Custom (Please specify RAL color)

7 | _____

Option :

DIM - Dimming 0-10V option

