

MOUNTING INSTRUCTIONS

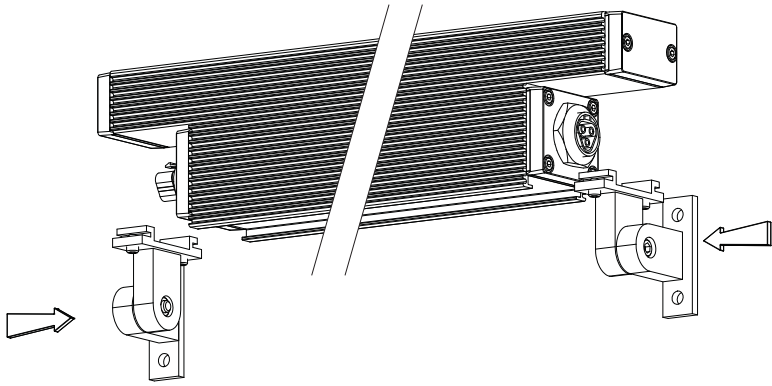
drawing number 101524

This product must be installed in accordance with the applicable installation code by a person familiar with the construction and operation of the product and the hazards involved.

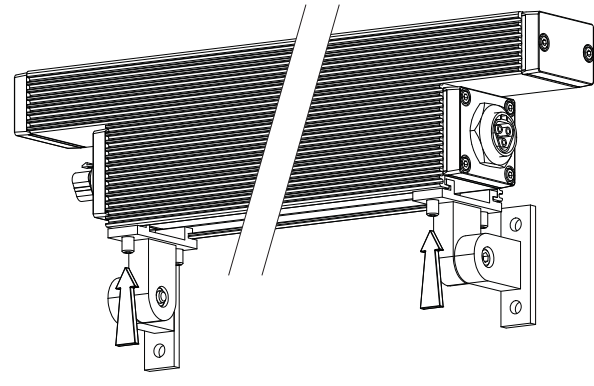
lumenfacade™

WHITE, STATIC COLORS & RGB

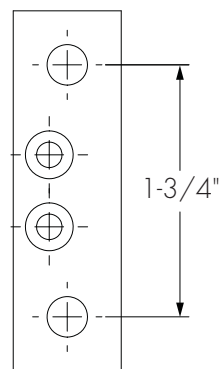
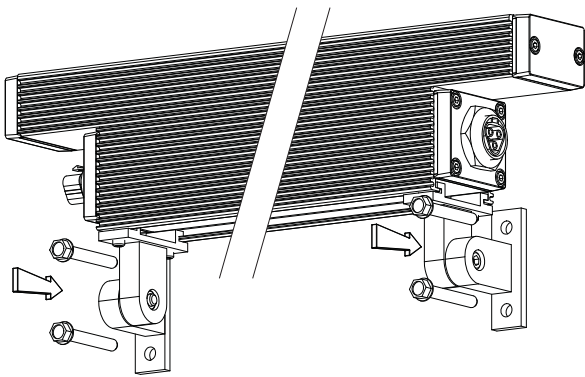
SLIDE IN WALL MOUNT



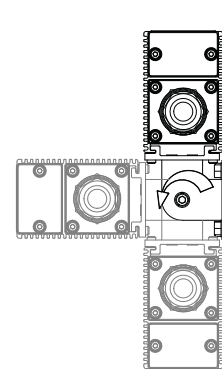
TIGHTEN SCREWS



SCREW INTO WALL



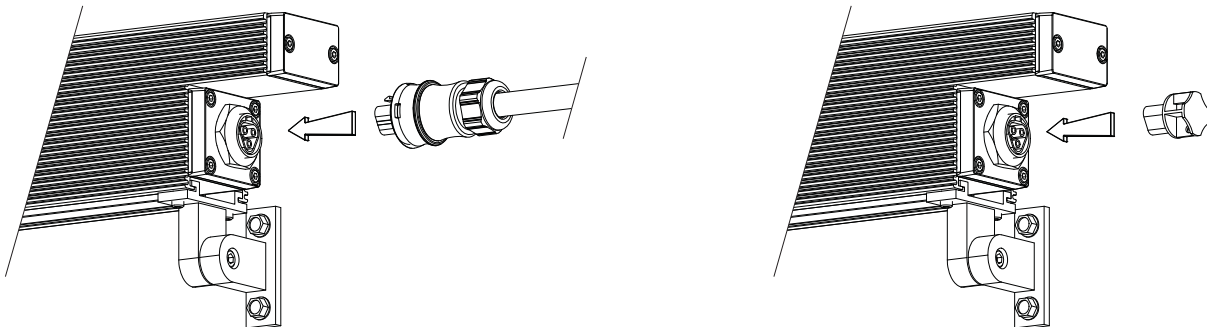
4 x 1/4" hardware
not included



adjustable angle

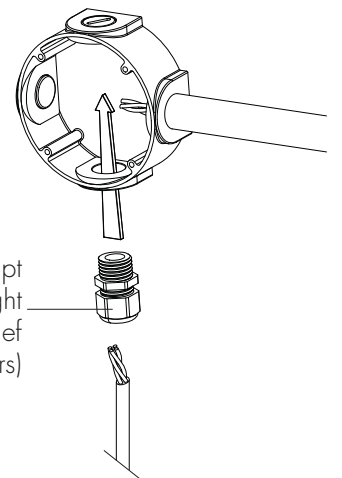


CONNECT CABLES OR INSTALL SEALING CAPS



all open connectors must
be closed with sealing cap

CONNECT TO JUNCTION BOX



1/2 npt
liquid tight
strain relief
(by others)

FINAL VIEWS

