

lumenpulse™



lumencentro
A revolutionary new light engine technology



Enriched Performance, Refined Design

In Fine Form

No sense putting a square peg into a round hole, our well-rounded LED boards are born to fit into the sleek form of each luminaire.

Phenomenal Performance

Our new light engine, Lumencentro, is lighting the way with outputs of 4000lm to 20000lm, four precise distributions and a brilliant efficiency.

Natural Integration

Blend with or enhance any environment through color-rendering capabilities and a choice of outputs and color temperatures.

Seeing Stars

With an eye towards Dark Sky and LEED certification, our fixtures keep the stars bright and put light where you want it.

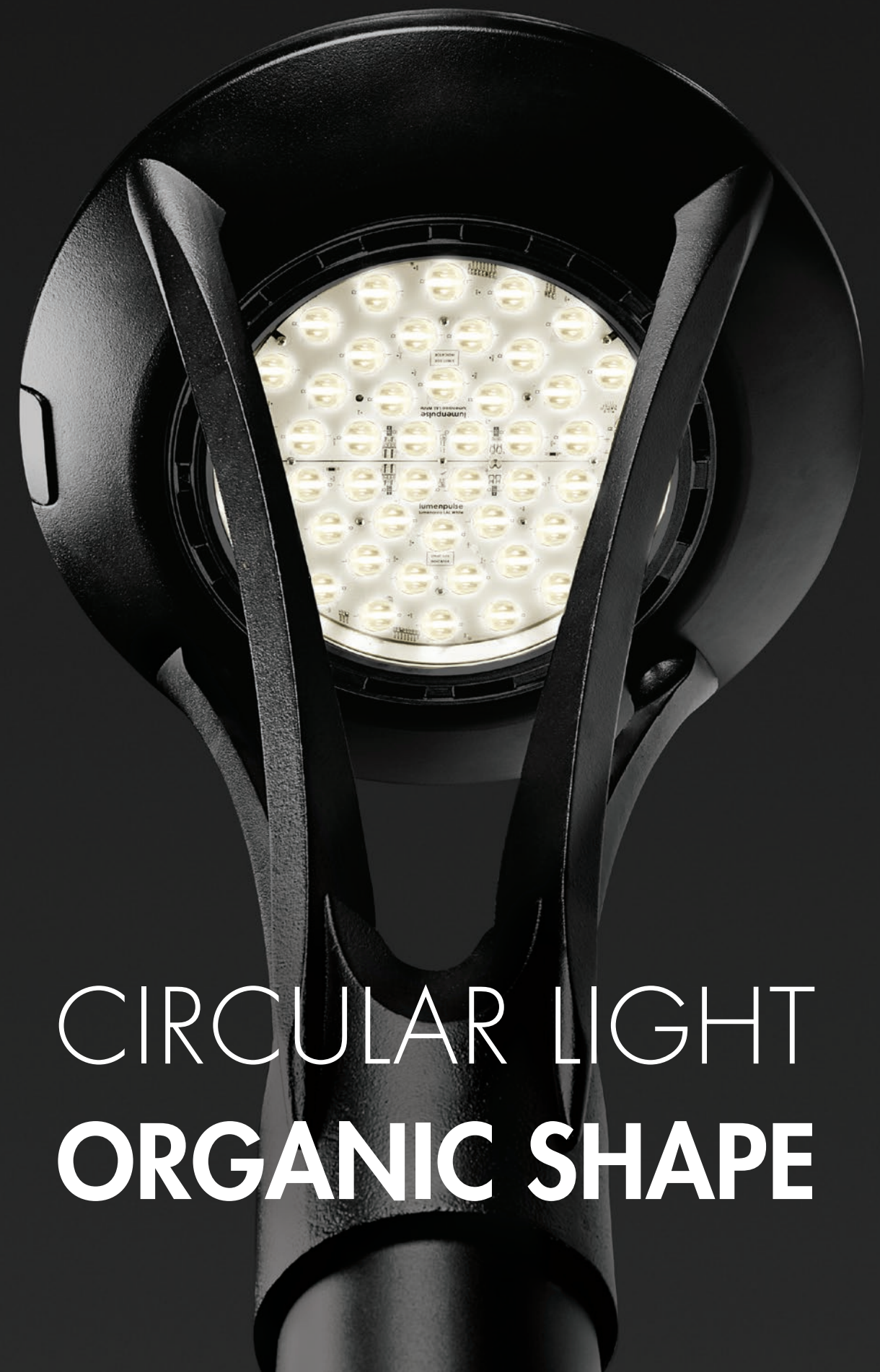
Take the Heat Off

Our thermal design draws out the heat, allowing for higher lumen outputs and a better quality of light over a longer lifespan.

In fine form

A natural, geometric synchronicity that embodies modern performance. Our definitive light engine, Lumencentro, is fully integrated into an organically shaped fixture. A sleek, strong, yet discreet design that embraces every environment and application.

Our luminaires offer a number of outputs, color temperatures and distributions. The ultimate in versatile, customizable architectural area lighting. Signature luminaires to set any space apart.



CIRCULAR LIGHT
ORGANIC SHAPE

Phenomenal performance

Three board sizes, a choice of distributions, and the security of knowing our optics put light where it's needed most. Our Clearsite lens helps pedestrians, motorists and cyclists travel safely through thoroughly lit areas while the directional distribution of our optics lets you increase the spacing between luminaires. Less luminaires means more savings.

Small

from **4000** to **6000lm**



Medium

from **8000** to **15000lm**



up to **130 lm/W**¹

up to **21078 lm**²

1. Delivered lumens/W, PUR100 - 120/277 - M80 - 40K - CRI 70+
2. Delivered lumens/W, PUR100 - L200 - 40K - CRI 70+

Large

from **17000** to **20000lm**





Natural integration

The Pure, Allegra and Steele's ability to blend in with or enhance any environment is thanks to their outstanding color-rendering capabilities, their choice of outputs, color temperatures, and their fluid designs. There is a distribution for every setting, application, and need.

Color consistency

While others boast they are best-in-class with a 4 SDCM, we humbly point out, Lumencentro offers 3 SDCM at CRI 70+* and 2 SDCM at CRI 80+.

Outputs

4000lm	6000lm	8000lm	11 000lm	15000lm	17000lm	20000lm
3000lm Softsite	5000lm Softsite	7000lm Softsite				

Color temperatures

2200K	2700K	3000K	3500K	4000K	5700K

Distributions

Type II	Type III	Type IV	Type V Square	Type V Softsite
Type II Backlight shield	Type III Backlight shield	Type IV Backlight shield		

Color rendering

70+	80+
-----	-----

Control options

ON/OFF	0-10V
--------	-------

Options vary according to model. Consult specification sheets.



Seeing stars

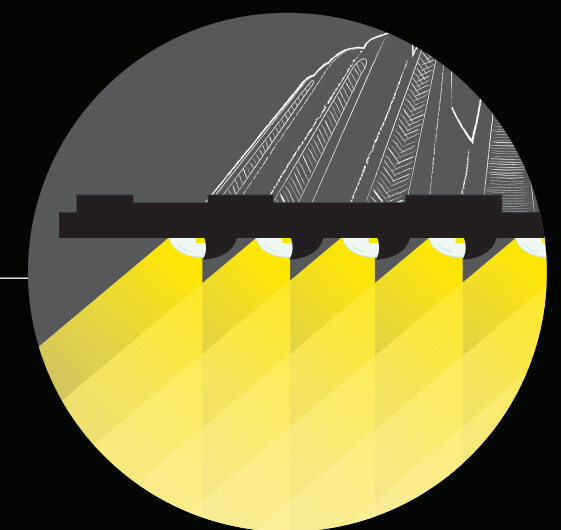
Say goodbye to light trespass and obtrusive light. Our luminaires don't pollute neighboring buildings, parks, or the dark sky with light spill. Our Softsite lens options help you conserve the integrity of the surrounding environment by creating a homogenous light with no visible source that also reduces discomfort from glare.



Simultaneously keep your clients seeing stars of amazement while also helping them meet LEED certification and lowering their environmental impact. The stellar precision and uniformity of our luminaires lets you light more with less, saving you energy costs.

The Backlight shield

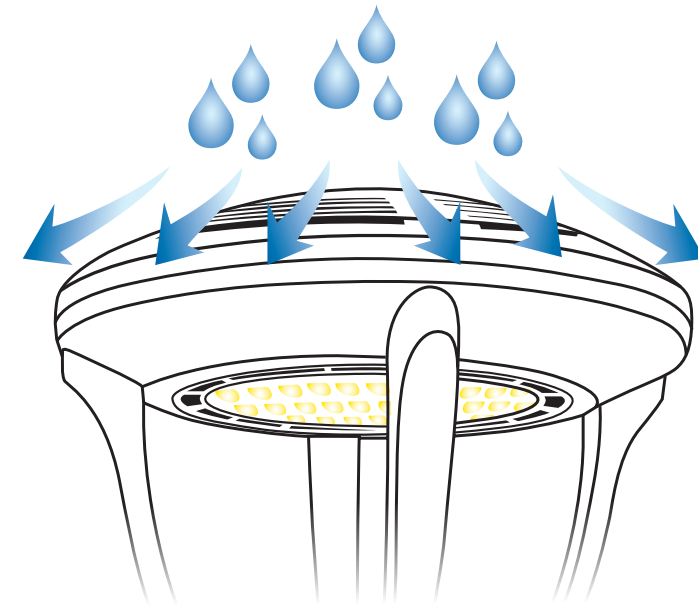
Compatible with the Clearsite lens, it keeps spill from the environment and puts light exactly where you need it.



Take the heat off

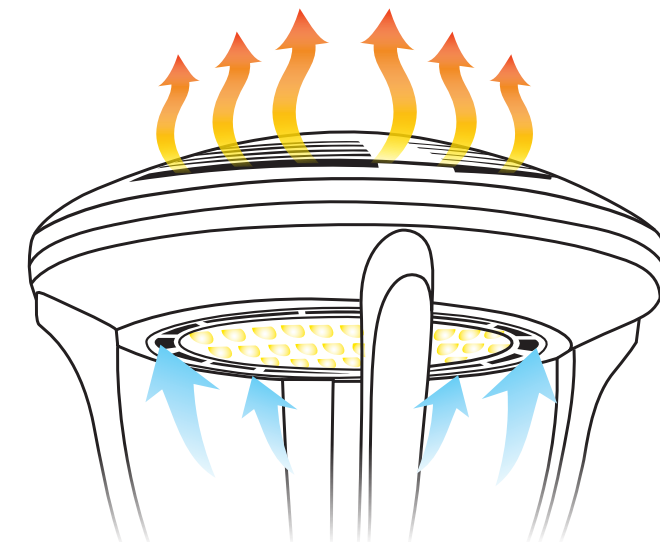
Lumencentro's innovative design uses Lumencool™ technology to regulate temperature and increase outputs. Lumencentro allows air to flow between the driver and the LED board, maximising the surface area, increasing output and lifetime.

lumencool™ technology



Water

Designed to run the rain off, keeping the interior bone dry, while simultaneously letting the heat out.



Heat

Lumencool raises the bar on heat management to achieve higher lumen outputs, a longer life, and a better quality of light and efficiency.

Pure

Energy efficient and designed to limit up-light, the Pure family is a versatile solution for a range of urban lighting applications, creating unique outdoor environments, while also protecting the night sky.





Allegra

The Allegra family is a durable, stylish line of luminaires for urban lighting applications, including pedestrian plazas, residential streets and collector roads. Offering a choice of outputs, color temperatures, and distributions, the Allegra family is elegance personified.





Steele

Featuring a minimalist design, Steele luminaires are a practical, efficient lighting solution for parking lots, public squares and parks. The luminaire has a low Effective Projected Area (EPA), which greatly reduces installation costs.

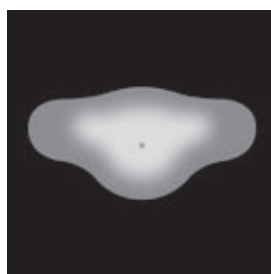


Streets

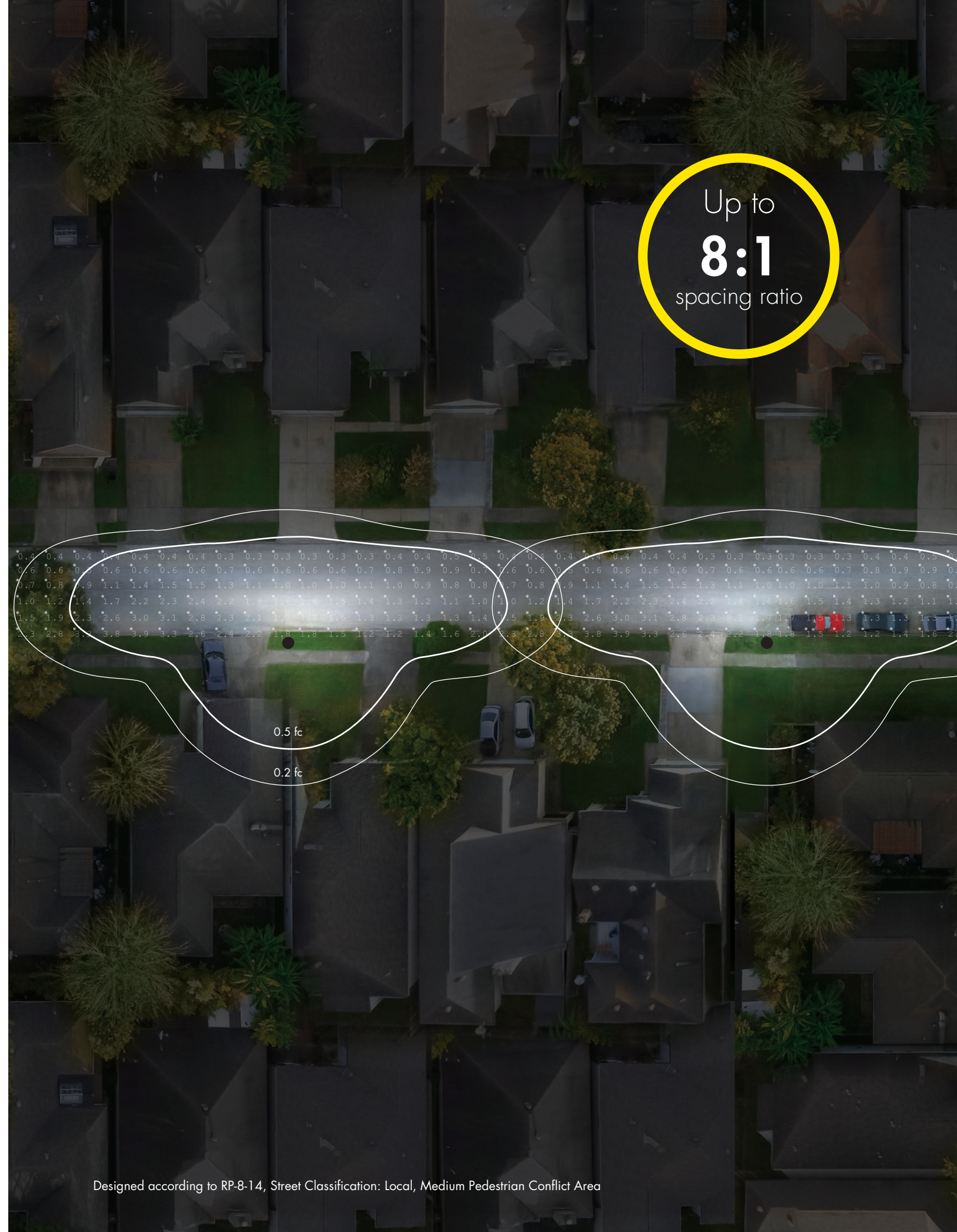
Not only do our luminaires increase safety and comfort for pedestrians, cyclists and motorists, they also save a city on its electrical bill. Our optics put light where it is needs to be, right where you want it, not into the windows of surrounding homes or into the night sky. With our Type II distribution, night streets become visible, welcoming and secure.



Summary
Pure100Y, 3000K,
CRI 70+, 8000lm/nominal
Mounting Height
15 ft.
Pole Spacing
110 ft.
Distribution
Type II



Up to
8:1
spacing ratio



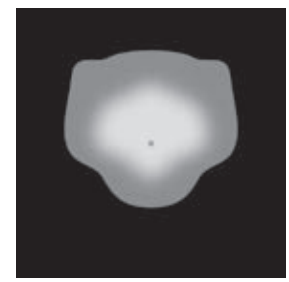
Designed according to RP-8-14, Street Classification: Local, Medium Pedestrian Conflict Area



Illuminance
Avg: 0.84 fc, Min: 0.38 fc, Avg/Min: 2.2, Max/Min: 6.71

Recreation

Parks, playgrounds, and other recreational spaces increase the joy of urban living. With the proper lighting, these spaces can be made safer, have a more inspiring aesthetic, and become more welcoming. Our Type IV distribution will help to increase tourism, reduce environmental impact, and create memorable experiences.



Summary
Pure 100T, 2700K,
CRI 80+, 4000lm/nominal
Mounting Height
15 ft.
Distribution
Type IV

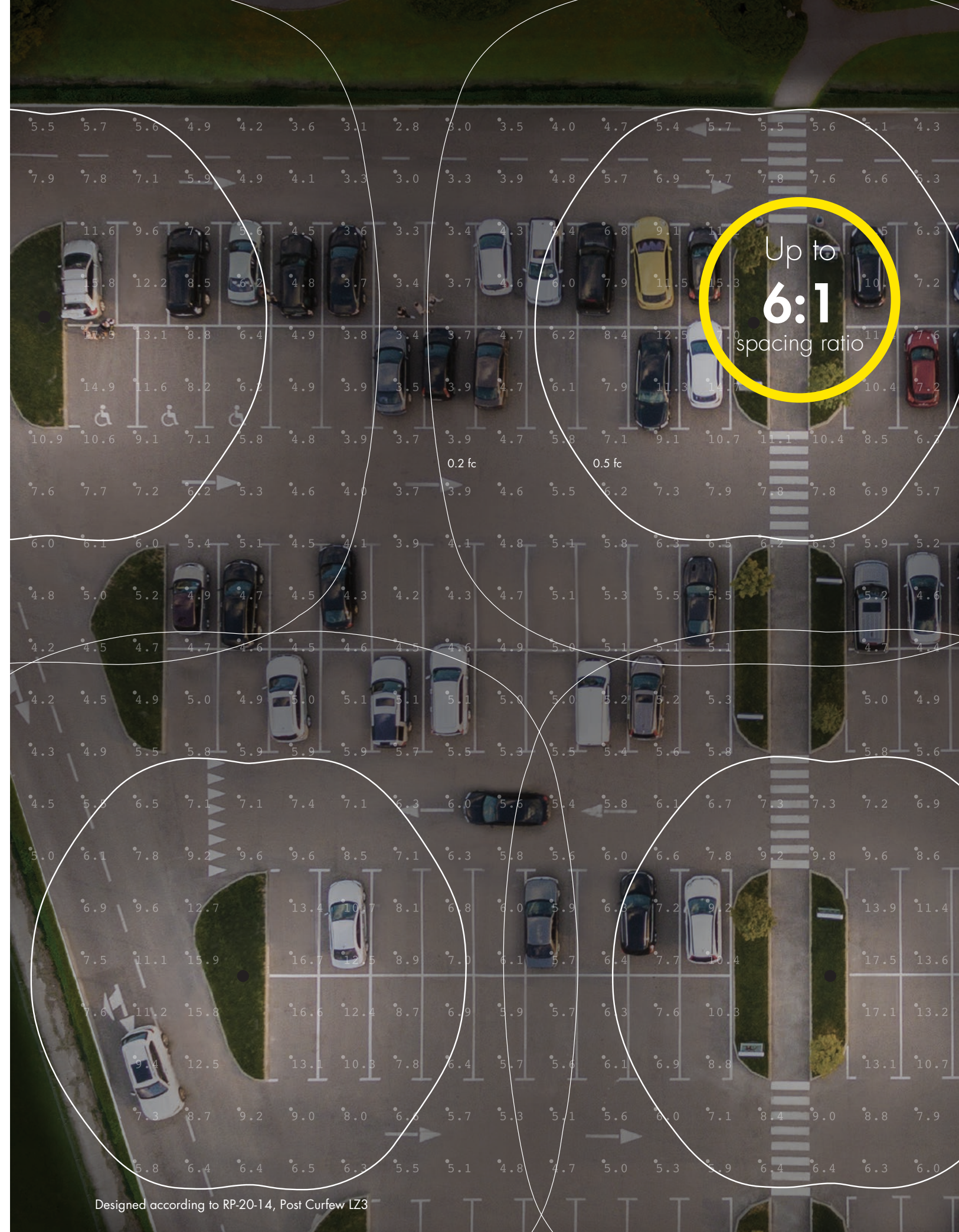


Parking

Shrink the shadows, create a safe space, enhance the efficiency of security cameras, while minimizing maintenance and energy costs. Our Type V square distribution helps create comfortable and safe parking spaces that invite and ease the minds of motorists.



Summary
 Steele, 3500K,
 CRI 80+, 11000 lm/nominal
Mounting Height
 25 ft.
Distribution
 Type V square



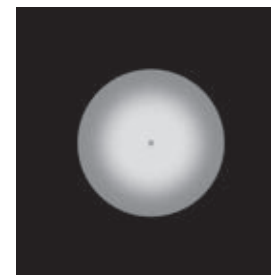


Designed according to IESNA recommendations for plazas and town squares.



Plaza

Boost traffic and create more welcoming plazas and other open, outdoor public spaces with our Type V Softsite distribution. Keep the night sky as dark as it was meant to be while letting the imaginations of pedestrians soar in the safety of a memorably lit space.

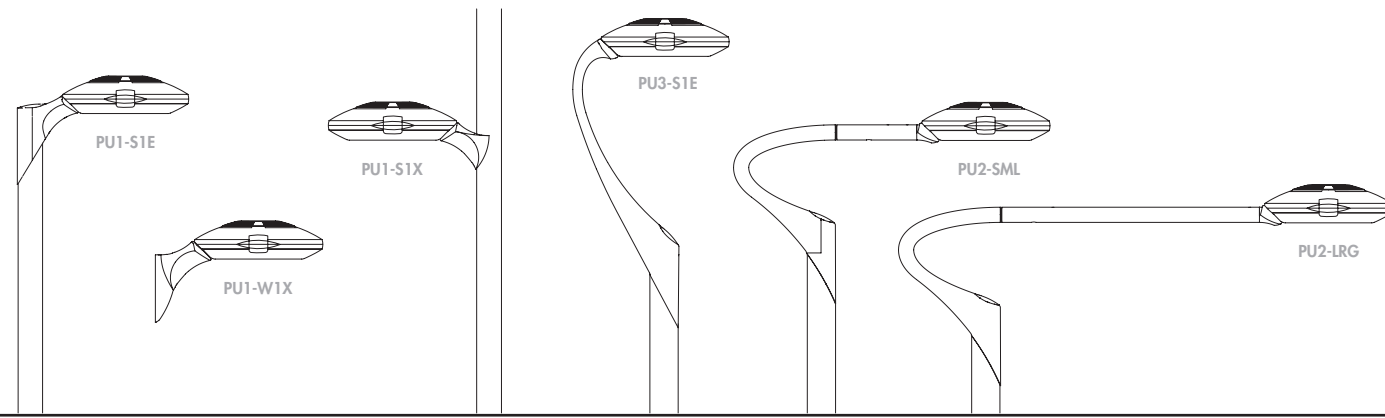


Summary
Pure100V, 2700K,
CRI 80+, 3000lm/nominal
Mounting Height
15 ft.
Distribution
Type V Softsite

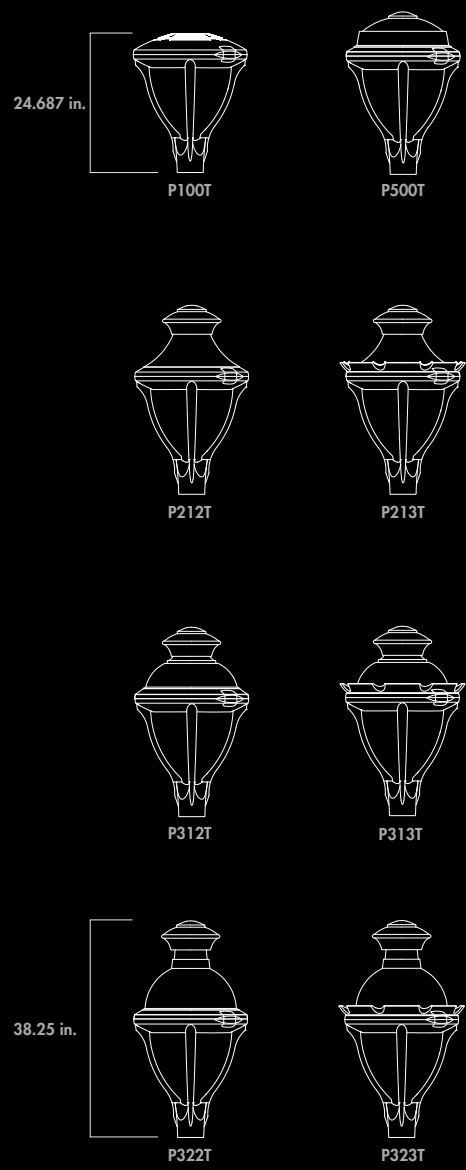


pure

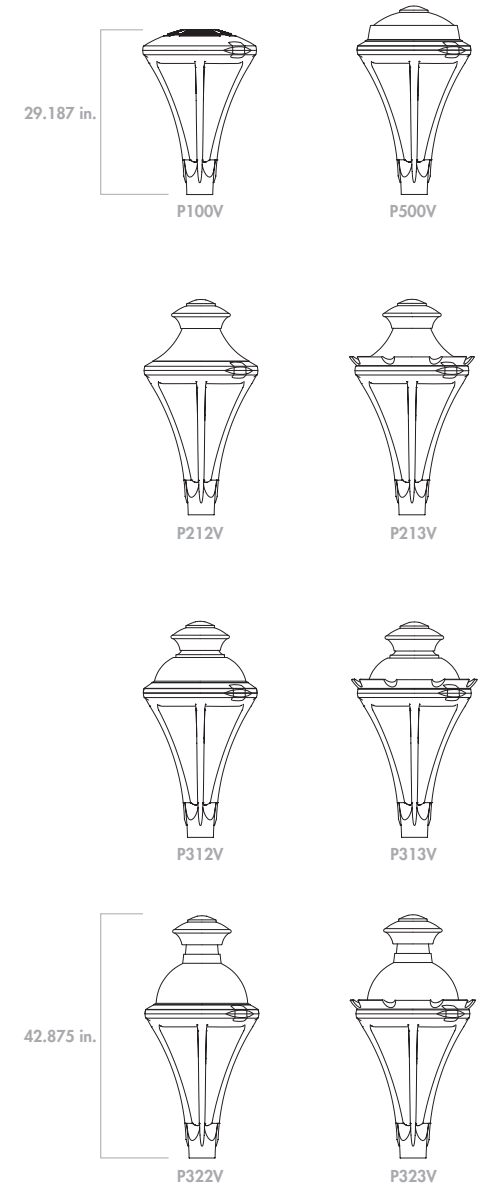
pure 100 series



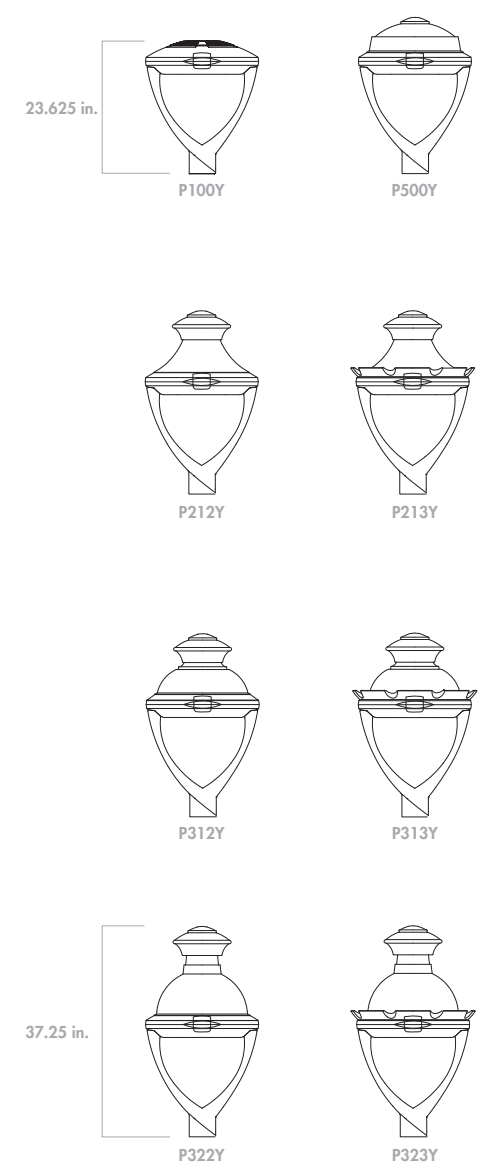
pure T series



pure V series



pure Y series



allegra



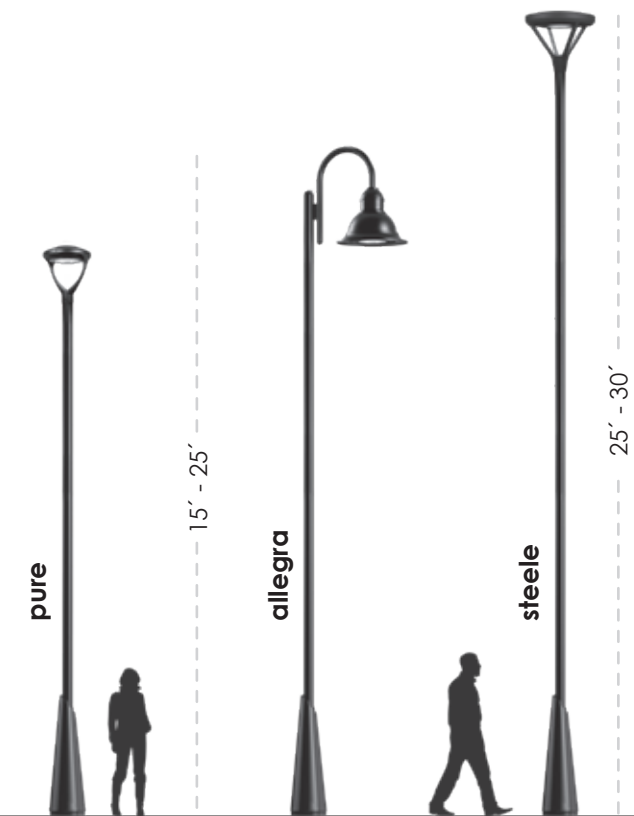
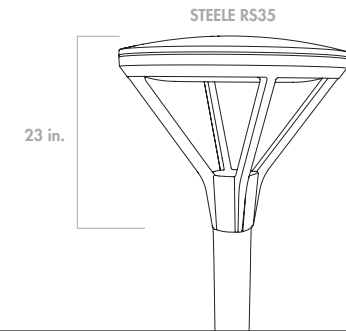
small



medium



steele





**Sales Offices and
Manufacturing Facilities**

Corporate Headquarters

1220 Marie-Victorin Blvd.
Longueuil, QC
J4G 2H9 Canada

T +1.877.937.3003
T +1.514.937.3003
F +1.514.937.6289

Boston, United States

10 Post Office Square, Suite 900
Boston, MA
02109 United States

T +1.877.937.3003
T +1.617.307.5700
F +1.617.350.9912

